

Prism Control Box **with Remote/ Wifi Control**

Installation and Operation manual

Keep this Manual for future reference

WARNING

Please read the manual carefully before commencing installation. This manual contains important information about the correct operation of Prism control box.

— Attention!

- This Prism control box must be installed by a licensed or certified electrician or a qualified serviceperson in accordance to the requirements of local government standards or local authorities. Improper installation will create electrical hazards which could result in serious injury, death as well as damage to the property.
- Cut the power before service and maintenance!
- For safe and proper installation, ensure parts supplied with the product are used.
- Never handle with wet hands and feet.
- If the external flexible cable or cord of this Prism control box is damaged, it shall be returned to place of purchased and replaced by the manufacturer or their service agent or a similar qualified person in order to avoid a hazard.
- Preferably installed in sheltered area away from rain or direct sunlight, to ensure the longevity of the Prism control box.

WARNING

THE PRODUCT REMOTE CONTAINS A BUTTON BATTERY

Do not ingest battery, Chemical Burn Hazard

If swallowed, a lithium button battery can cause severe or fatal injuries within 2 hours.

Keep new and used batteries out of reach of children.

If the battery compartment does not close securely, stop using the product and keep it away from children

If you think batteries may have been swallowed or placed inside any part of the body, seek immediate medical attention.

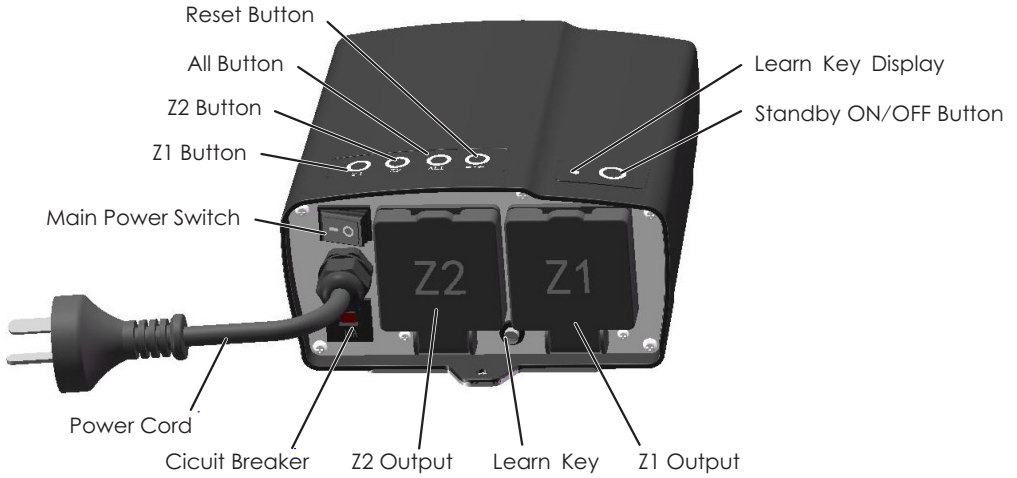
PRODUCT DESCRIPTION

— SPECIFICATIONS

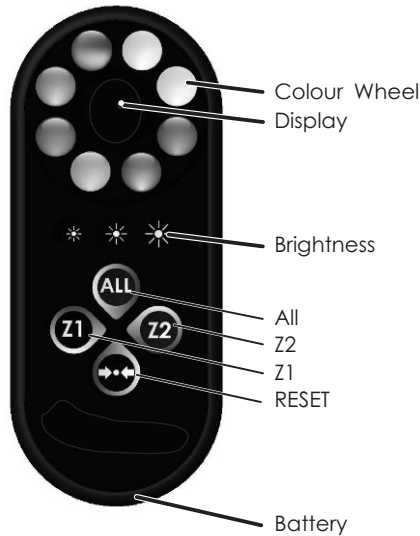
Work Temperature	0-40°C
Input Voltage	AC220-240V, 50/60Hz
Output Voltage	2*AC220-240V, 50/60Hz
Maximum Power Rating	2*300VA
Radio Frequency	433MHz
Radio Distance At Sight (Empty area)	50m
Remote Battery	CR2032 Li Button Battery

Ta=35°C, Tc=75°C

— CONTROL BOX DISPLAY AND FUNCTION KEYS



— REMOTE FUCTION



WARNING

THIS PRODUCT CONTAINS A BUTON BATTERY

If swallowed, a lithium button battery can cause severe or fatal injuries within 2 hours.

Keep batteries out of reach of children.

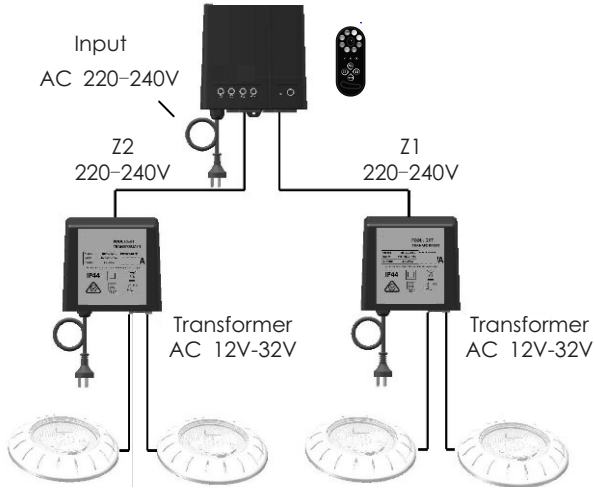
If you think batteries may have been swallowed or placed inside any part of the body, seek immediate medical attention.

The Poisons Information

Centre number is 13 11 26 from anywhere in Australia(0800 764 766 in New Zealand) and is available at all times.



WIRING DIAGRAM



Attention:

- 1) Load of the control box should not exceed 2*300W.
- 2) The control box out voltage is 220~240Vac same as the power socket, it must be connected to 12V-32Vac step down over transformers.
- 3) Please refer to the lamp power rating to choose adequate power rating transformer.

THE REMOTE HANDSET

There are two operation modes to support Prism mode and basic tradition mode for lighting control.

— Prism MODE

It is the default control mode after learning.

1. The mode display LED under at the center of colour wheel will be flashed in red colour and ready to touch.
2. Use the Prism remote to choose direct colour pick up by touching the colour area.
3. The rainbow colour key is a toggle key for multiple modes of auto colour change.
4. There are three level of brightness for light brightness adjustment touch the desired brightness button.
5. Z1, Z2 and ALL are ON/OFF switch to ON/OFF Zone 1, Zone 2 and both Zones. The Reset key will turn Z1 and Z2 lights back to Cool White. It will take three seconds to the light up after switching off.
6. Touch any key and wait a while for light response.



Place finger on the top of button and touch it gently, then use remote .

WARNING: Keep touching the same button will interrupt the handset operation.

— BASIC MODE

1. The colour wheel buttons and brightness function will be disabled.
2. Touch Z1, Z2 and all buttons will change the Zone 1, Zone 2 or Both Zones colour one by one.
3. Reset button will turn all the light colour to light's default first colour for RGB colour light.



— BATTERY REPLACEMENT

Turn the remote and open the battery compartment by pushing the right hand side lock inward. The remote uses CR2032 battery with a life time of around six months. Keep batteries out of reach of children



WARNING:

The Prism Control Box main power switch must be switched off and wait for three minutes and then switch on again.



WARNING:

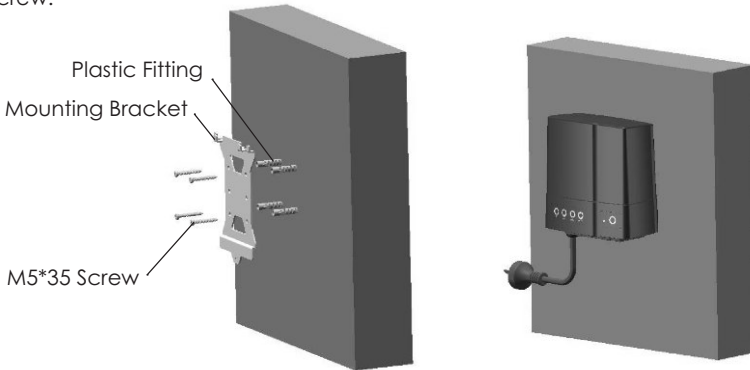
The Prism remote handset is designed with auto sleep mode to save battery power when it is idle for a while. It will wake up by touch any button and operate.

Switch to 50Hz/60Hz, wait 30s to open control box. If not, there will be incorrect colour mode.



INSTALLATION

- A) Remove the mounting bracket from the control box, position the mounting bracket in the desired location and mark on the wall with the location of the drilled holes.
- B) Then drill 4 holes of \varnothing 8mm on the marked position and insert a plastic fitting, Secure the mounting bracket by fastening 4 screws of M5x35 to the plastic fittings.
- C) The Prism control box hangs on the hook of mounting bracket, and secures with the bottom screw.



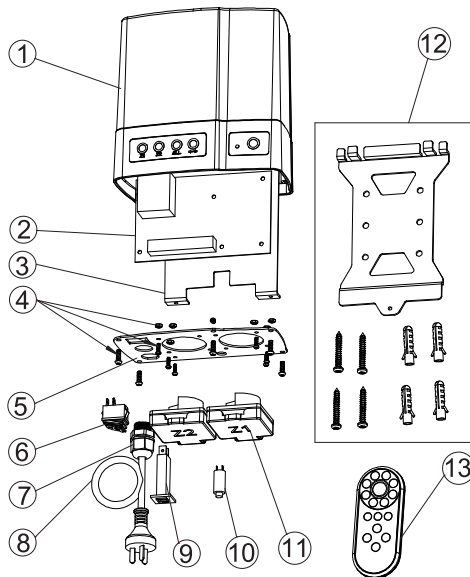
MAINTENANCE AND TROUBLE SHOOTING

- 1) Do not leave the Prism control box directly under sunlight.
- 2) Before switching on the control box, check the circuit boxes are running properly.
- 3) Warranty will be voided if the Prism control box was dismantled by unauthorised personnel.

Trouble	Possible Solution
Touch remote and display light not illuminating.	Replace battery Cr2032. (Caution: water will damage remote.)
The display light is working on the remote and pool lights are on, but remote does not control lights.	The remote must relearn by syncing with the learn key on the control box.
The control box works normally, but pool light does not work.	Check transformer. Replace pool light panel.
The Prism box does not work.	Check main power button. Check connected locations of the cable. Check fuses at switchboard. Contact qualified electrician to test.
Wrong colour mode.	Switch to 50Hz/60Hz, wait 30s to open control box.

REPLACEMENT PARTS

Item No.	Part No.	Description	Qty
1	AAA-30-91001	Prism control box	1
2	AAA-301-91001	Prism electronic board 110-220V	1
3	AAA-301-91002	Internal plate	1
4	AAA-301-91003	Screw	1
5	AAA-301-91004	Bottom plate	1
6	AAA-301-91005	Power switch	1
7	AAA-301-91006	Cable Gland	1
8	AAA-301-91007	Power cord	1
9	AAA-301-91008	Overload protector	1
10	AAA-301-91009	Switch for learn key	1
11	AAA-301-91010	Socket	2
12	AAA-301-91011	Mounting bracket	1
13	AAA-30-91002	Remote(With Battery)	1





trueblueleisure.com.au

After Sales Service:



Product Code: EMX-30-91019



WARNING

THIS PRODUCT CONTAINS A BUTON BATTERY

If swallowed, a lithium button battery can cause severe or fatal injuries within 2 hours.

Keep batteries out of reach of children.

If you think batteries may have been swallowed or placed inside any part of the body, seek immediate medical attention.

The Poisons Information

Centre number is 13 11 26 from anywhere in Australia(0800 764 766 in New Zealand) and is available at all times.