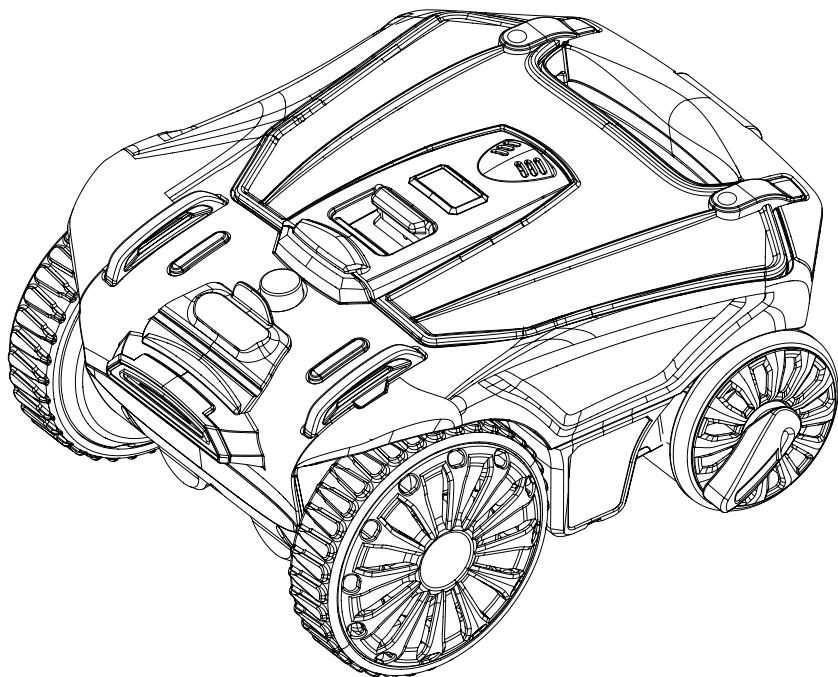




Ver:A02

# User Manual

Model: TRUE BLUE POOL CLEANER  
CTB003\_PHG-20-91002



This manual contains important information which can help you to operate and maintain this robot cleaner. Please keep it for future reference.

### Customer Service & Product Support:

- For questions regarding product use, product issues, replacement parts and warranty information, please contact us at: [warranties@trueblu.au](mailto:warranties@trueblu.au)

Before using this product, please read this manual carefully and keep it for future reference. When using this product, please follow the rules listed below.

### **⚠ ATTENTION**

- ◆ Please use this product according to the instructions listed in this manual, and use only the accessories recommended or provided by the manufacturer.
- ◆ This robotic cleaner is applicable for swimming pool cleaning only.
- ◆ Take the robot cleaner out of the pool after each use.
- ◆ Make sure the debris basket and filter are in place before using this product.
- ◆ Do not use the swimming pool while the cleaner is in operation.
- ◆ The charger must be used at least 5 meters away from the edge of the swimming pool and kept dry and ventilated.
- ◆ Unplug the charger after charging.
- ◆ Operators must be equipped with the technical skills to prevent safety related risks during the product maintenance and repair.
- ◆ If not in use for a long time, it is recommended to charge this product once every 2 months with the charging time of no less than 4 hours to ensure its service life.
- ◆ Charge the robotic cleaner only with the original charger included in the box.
- ◆ Please use this product according to the instructions listed in this manual, and we do not assume any liability or responsibility for any loss and harm caused by improper use.
- ◆

**Maximum pool depth 6 meters**

---

## Safety

---

### **⚠ ATTENTION**

- ◆ Do not use if the robotic cleaner or charger if they become damaged in any way.
- ◆ Do not expose the robot cleaner to excessive temperatures. Exposure to temperatures above 70°C may cause damage or fire.
- ◆ Inspection and maintenance must be performed by qualified maintenance personnel and with only approved parts for replacement.
- ◆ Do not modify or attempt to repair the robot cleaner except as indicated in the instructions for operation and maintenance.
- ◆ Make sure the power voltage conforms to the related voltage marked on the charger.
- ◆ Follow the local laws and regulations when disposing of this product and its parts.
- ◆ Never remove parts that are not specified in this manual. Removal of parts may affect the normal operation of the robot cleaner.
- ◆ The robotic cleaner must be kept dry during maintenance to avoid safety related risks.
- ◆ Keep the charger out of the reach of children and keep children away from the charger and robotic cleaner during charging.
- ◆ Do not charge robot cleaner in a wet environment. Never use, charge or store the robot cleaner around flammable chemicals or liquids.
- ◆ Please follow all charging instructions and do not charge the robotic cleaner in an environment beyond the temperature range specified in the instructions. Improper charging or charging at temperatures beyond the specified range may damage the battery and increase the risk of fires.
- ◆ Battery leakage may occur under harsh or extreme conditions. If any battery liquid gets on the skin, immediately flush with water. If it splashes into your eyes, immediately flush eyes with water and seek medical attention.
- ◆ Do not use any battery pack or robotic cleaner if they have been damaged or modified. Damaged or modified batteries may exhibit unpredictable behavior resulting in fire, explosion or risk of injury.
- ◆ The battery should be removed from the robotic cleaner before it is discarded. The robotic cleaner must be disconnected from the power supply when removing the battery. The battery is to be disposed of in a safe and ecofriendly manner.

### ATTENTION

This device complies with ACMA legislation. Operation is subject to the following two conditions: (1) This device may not cause harmful interference, and (2) this device must accept any interference received, including interference that may cause undesired operation.

**CAUTION:** Changes or modifications not expressly approved by the party responsible for compliance could void the user's authority to operate the equipment.

**Note:** This equipment has been tested and found to comply with the limits for a Class B digital device, pursuant to ACMA legislation. These limits are designed to provide reasonable protection against harmful interference in a residential installation. This equipment generates, uses and can radiate radio frequency energy and, if not installed and used in accordance with the instructions, may cause harmful interference to radio communications. However, there is no guarantee that interference will not occur in a particular installation. If this equipment does cause harmful interference to radio or television reception, which can be determined by turning the equipment off and on, the user is encouraged to try to correct the interference by one or more of the following measures:

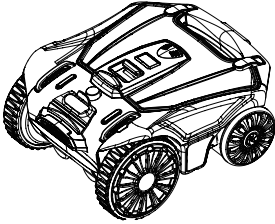
- Reorient or relocate the receiving antenna.
- Increase the separation between the equipment and receiver.
- Connect the equipment into an outlet on a circuit different from that to which the receiver is connected.
- Consult the dealer or an experienced radio/TV technician for help.

# Contents

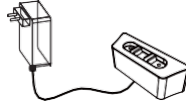
Included in the Box-----	01
Product Introductions-----	03
Operation Instructions -----	04
Maintenance -----	10
Storage-----	14
Trouble Shooting -----	14
Battery Disassembly and Recycling-----	15
Product Recycling -----	16

# 1. Included in the Box

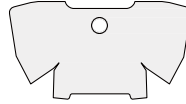
## 1.1 Components



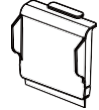
Robot Cleaner  
1



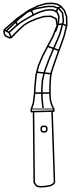
Charger  
1



Filter  
1 in Unit  
1 extra



Small Particle Suction Sleeve  
1



Hook  
1



Tyre Cover  
2 in Unit  
2 extra



User Manual  
1

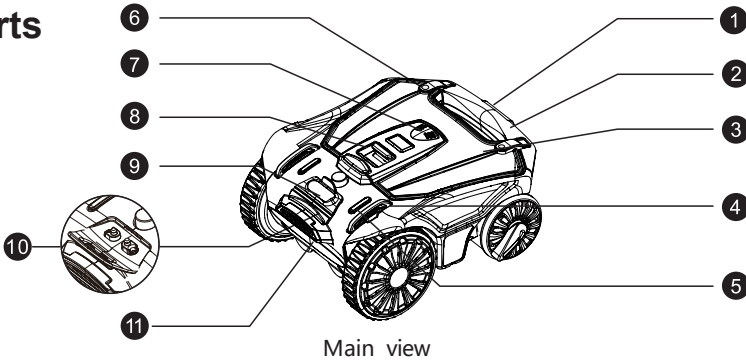


Rear Brush Strip  
1 in Unit  
1 extra



Front Brush Strip  
1 in Unit  
1 extra

## 1.2 Product Parts

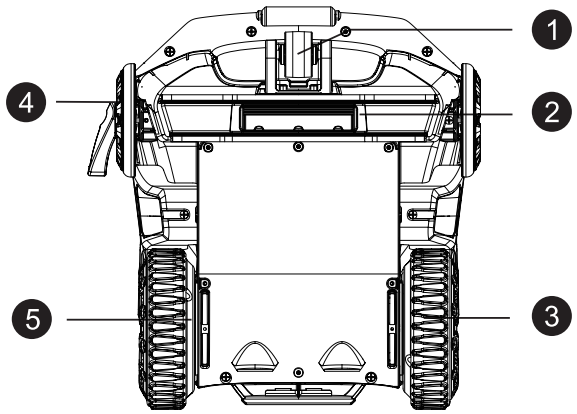


Main view

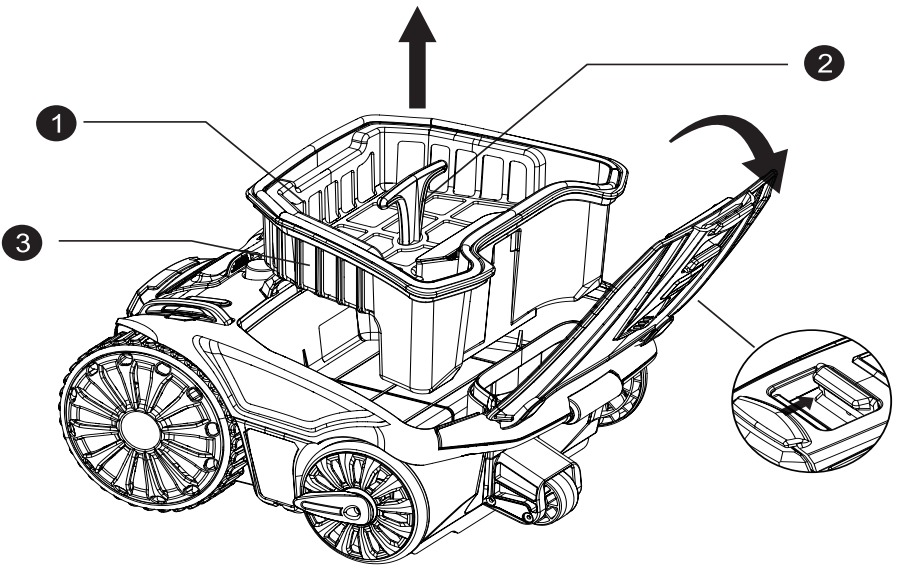
1	Adjusting Wheel	2	Handle	3	Sealing Cap	4	Walking Wheel Clip	5	Indicator Light	6	Air Vent 1
7	Air Vent 2	8	Spring Fastener	9	Charging Port Cover	10	Charging Electrode	11	Crash Cushion		

# 1.Product Features

1	Rear wheel
2	Water Inlet
3	Walking Wheel (Water Pump Wheel)
4	Anti-crash Wheel
5	Walking Wheel



Bottom View



Inside View

1	Debris Basket	2	Handle for Debris Basket	3	Filter
---	---------------	---	--------------------------	---	--------

## 2.Product Introductions

### 2.1 Product features

- ◆ High-performance built-in lithium ion battery, cordless, easy-to-use.
- ◆ Low voltage DC power supply, safe and reliable, free from risk of electric shock.
- ◆ High-efficiency built-in suction pump, no external pipe connection is required.
- ◆ The product will work automatically upon detection of water. **No manual start-up is required.**
- ◆ Upon detection of out-of-water, the water pump impeller and walking wheel will stop running to ensure the service safety.
- ◆ The robot cleaner will shut down automatically within 10 seconds after being removed from the water. There is no manual shutdown required.
- ◆ Automatic steering when encountering obstacles during operation. Intelligent planning for cleaning paths.
- ◆ The suction will remain constant during the whole cleaning process.

### 2.2 Technical Parameters

Model	TRUE BLUE POOL CLEANER CTB003
Battery	22.2V 4400mAh 97.68Wh
Max. Cleaning Area	100m <sup>2</sup> /1076 sq.ft
Max. Cleaning Cycle	180 min(25°C ambient temperature)
Charging Time	4-6h
Charging Power	24W
Charging Method	Contact Type
Water pump motor type	Brushless Direct Current Motor
Filter Precision	50µm
Fault Self Detection	Yes
Diving Auto Start	Yes
Intelligent path planning	Yes
Applicable Pool Type	Ceramic tile pool, Steel pool, Polymer pool, Resin pool
Max. Pool Depth	6m
Max Gradeability	20°
Max. Running Speed	12m/min
Pool Bottom Cleaning	Yes
Pool Wall Cleaning	No
Debris Basket	2L
Waterproof Level	IPX8
Appliance Working Temperature	5°C-35°C (41°F-95°F)
Battery Operating Temperature	5°C-45°C (41°F-113°F)
Product Dimension	36.5X32.6X16.8cm
Packing Size	40X37X25.5cm
Net Weight	5.2kg
Gross Weight	7.0kg



### 3. Operation Instructions

#### 3.1 ⚠ CAUTION

- ◆ Remove leaves from the bottom of the pool before using the robotic cleaner. Leaves may block the water inlet and reduce cleaner performance.
- ◆ Make sure the debris basket is properly inserted inside the cleaner before usage.
- ◆ Shelter the area under the swimming pool handrail or other long & narrow areas in advance, so as to prevent the cleaner from getting stuck.
- ◆ Make sure there are no ropes, string or other objects in the pool that may become wound or caught in the wheels.
- ◆ Do not use the swimming pool when the robot cleaner is in operation. Do not step or place weight on the robot cleaner.
- ◆ The battery must be charged for at least 4-6 hours prior to its initial use.
- ◆ When the robotic cleaner is not in use, please place it horizontally for two hours. After two hours, the cleaner will automatically enter the low-power mode.

#### 3.2 Battery Percent and Status Inspection

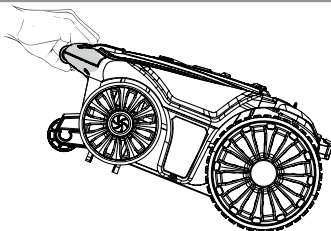
**Before use, gently lift the handle of the robotic cleaner to tilt it greater than 30 degrees (When the product is in low-power mode, this operation will wake it up and enter it into standby mode)**

- ◆ If the indicator light shows nothing, it means the product is out of power and needs to be charged before use.
- ◆ If the indicator lights turns on, refer to the table below for its status. The indicator lights will turn off after 5 seconds and the robotic cleaner will enter "Standby" status if it is not moved again.

#### Indicator Light Description

Status	Left indicator light		Right indicator light		Description
	Red	Blue	Red	Blue	
Lock	◐	◐	◐	◐	Automatically shut down at the end of a single operation. Operation locked, the red and blue indicator lights are flashing alternately, no operation available under this status. Unlock after charging.
Battery Low	◐	○	◐	○	Low battery, red indicator is flashing, it must be used after charging.
Power available for operation	○	●	○	●	The battery still has energy storage, the blue indicator is normally on and the appliance can be used.

● Indicator light on      ○ Indicator light off      ◐ Indicator light flashing

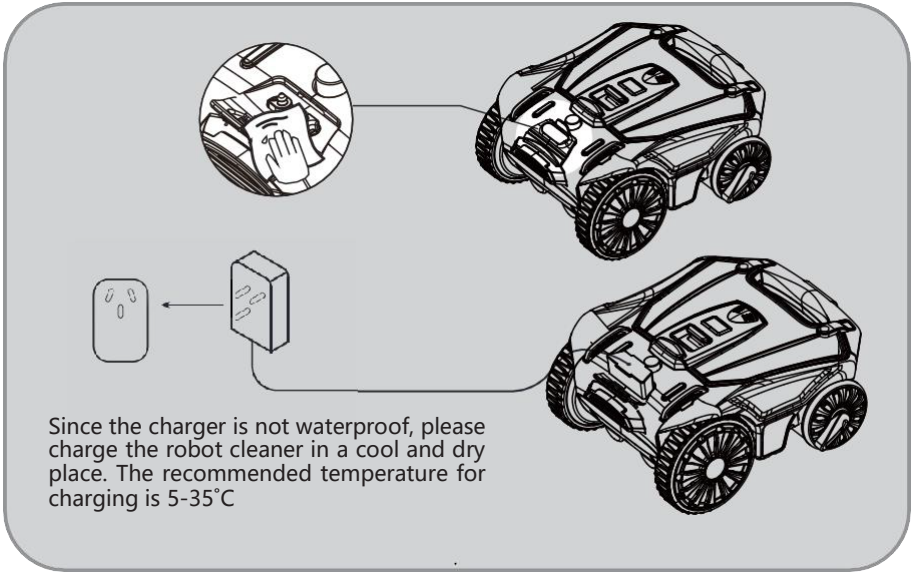


Gently lift the handle to raise( > 30°)

### 3. Operating Instructions

#### 3.3 Charging

3.3.1 Please make sure the charging port is dry before connecting the charger to the robot cleaner. See figure below.



3.3.2 When charging begins, blue lights will flash. Once fully charged, the blue lights will remain on.

Indicator lights of the product	Battery Status
Blue indicator light flashing	Charging
Blue indicator light on	Charging complete

#### ⚠ ATTENTION

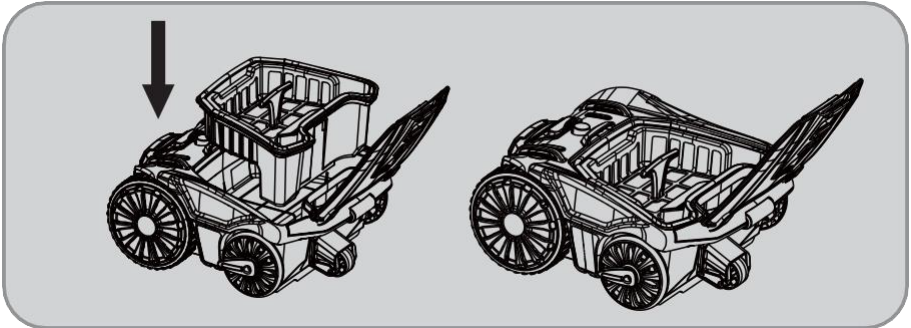
- ◆ After charging, disconnect the power supply and place the product horizontally for two hours. The product will enter the low-power mode automatically.
- ◆ It will take between 4-6 hours to fully recharge the robotic cleaner after the battery has completely drained.
- ◆ Do not charge the robot cleaner near the pool or water. It should only be charged in a dry place away from the pool edge.
- ◆ Once the robot cleaner is repowered and lights remains blue, remove the charger. Do not leave the charger connected after the cleaner has reached full power.

### 3. Operating Instructions

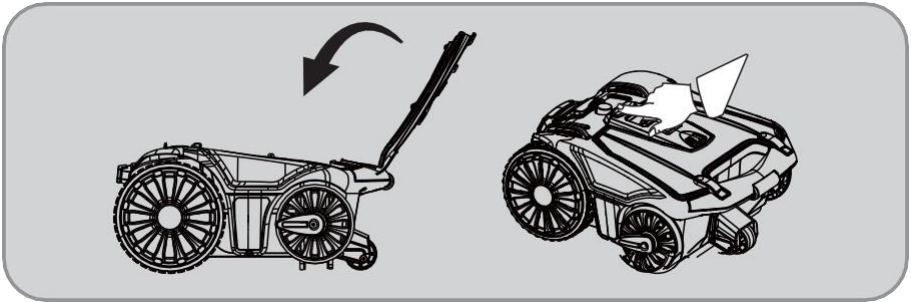
#### 3.4 Preparation Work

Once the robot cleaner is fully powered and the lights glow blue, follow these steps:

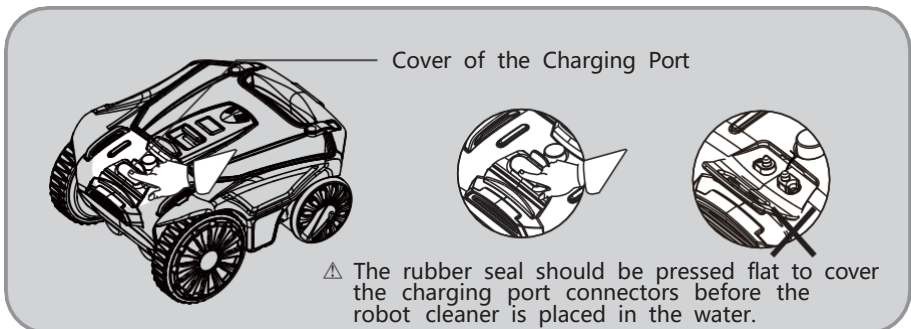
- 3.4.1 Open the top cover and make sure the debris basket sits correctly in the robot cleaner.



- 3.4.2 Close the top cover and press it down firmly until you hear a "click" sound.



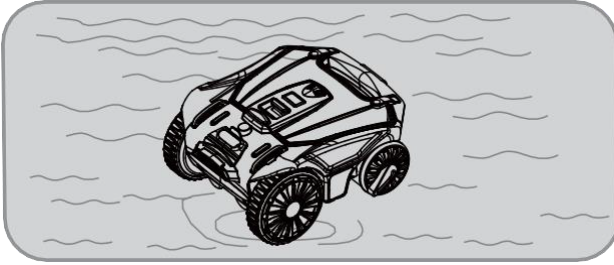
- 3.4.3 Make sure the rubber seal is covering the two charge port connectors.



### 3. Operating Instructions

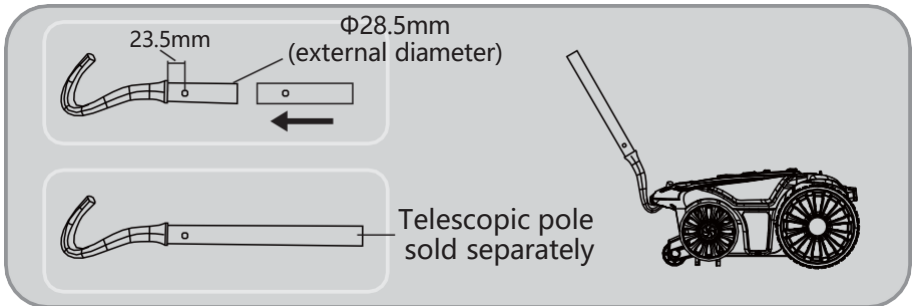
#### 3.5 Normal Operation

- ◆ Gently place the robotic cleaner in the water and let it sink smoothly to the bottom of the pool. It will start working automatically.
- ◆ The robotic cleaner has an auto steering function and will change course if it encounters obstacles or the edge of the pool.

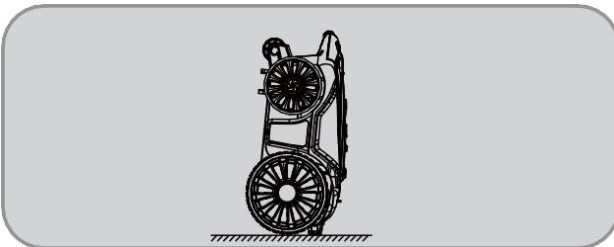


#### 3.6 Taking Out the Robot Cleaner

3.6.1 Upon completion of the cleaning work, the robotic cleaner should be taken out of the pool by using a long pole equipped with a hook.



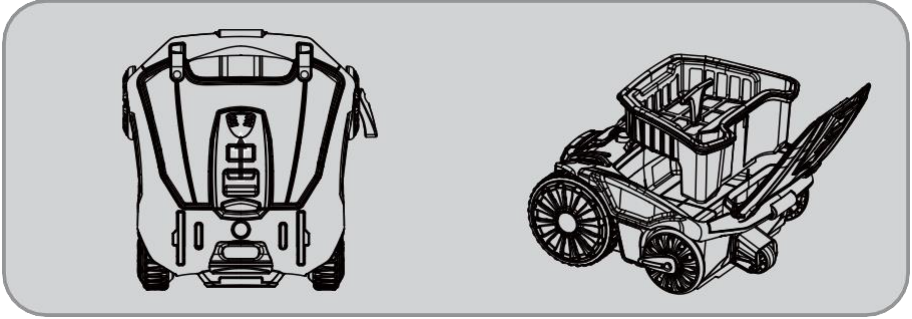
3.6.2 After taking the robotic cleaner out of the pool, let it stand vertically on the ground for several minutes to let remaining water drain out of the cleaner.



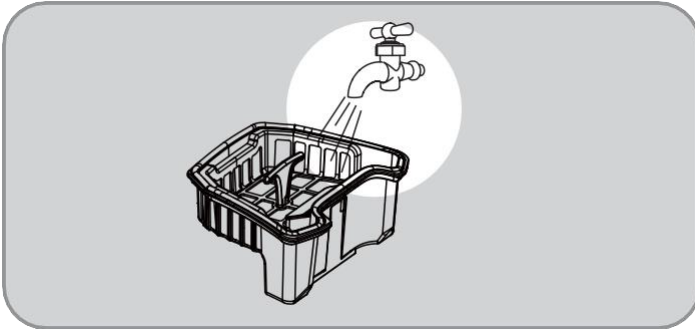
### 3. Operating Instructions

#### 3.7 Product Cleaning After Use

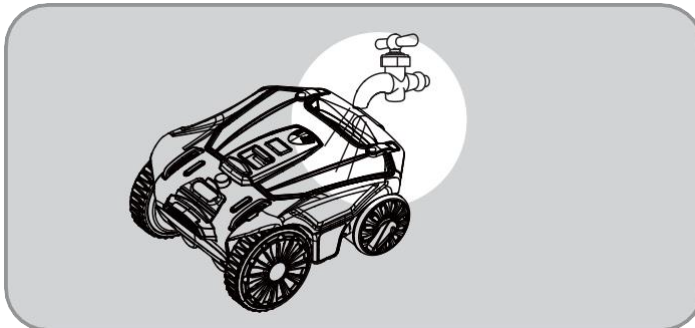
- 3.7.1 Open the top cover of the robotic cleaner, take out the debris basket, and empty it.



- 3.7.2 Rinse the debris basket with water to flush out waste, then insert back into the robotic cleaner.



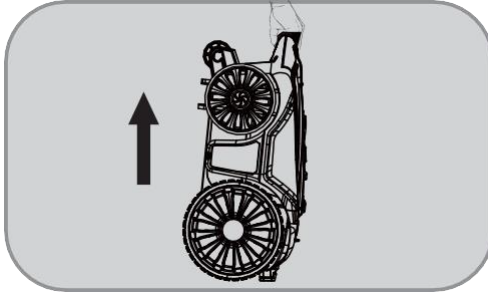
- 3.7.3 If the robotic cleaner becomes dirty, it can be wiped down with mild soapy water and then rinsed with clean water.



### 3. Operation Instructions

#### 3.8 Forced Shutdown

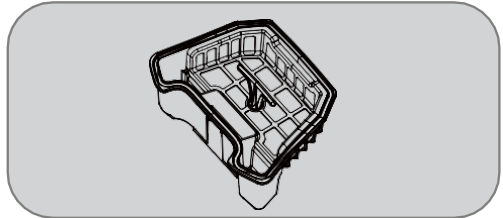
- ◆ If the robotic cleaner does not shut down automatically after water has drained, please hold the product vertically for 15 seconds, as shown in the figure, and the cleaner will enter a forced shut down.



#### 3.9 The Robotic Cleaner Has 3 Filtering Options

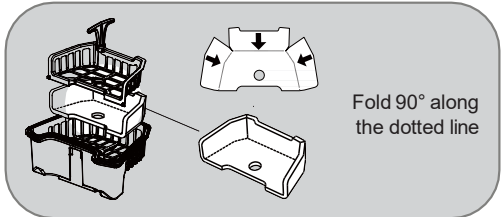
##### 1. Debris Basket Only:

- To vacuum larger debris, the robotic cleaner can be used with just the debris basket and no filter. The steel mesh liner will capture the larger particles.



##### 2. Debris Basket with Filter:

- To vacuum smaller dirt, sand and silt, use the filter with the debris basket.

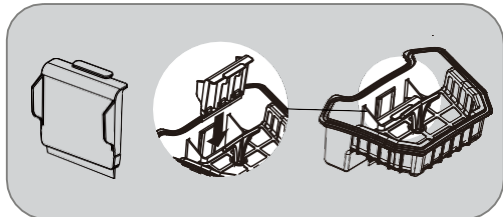


##### 3. Debris Basket with Filter + Small Particle Suction Sleeve:

- To vacuum very fine silt, dirt and sand, add the Suction Sleeve to the water intake inlet.

Note:

This will reduce the Robotic Cleaner's ability to gather larger debris.



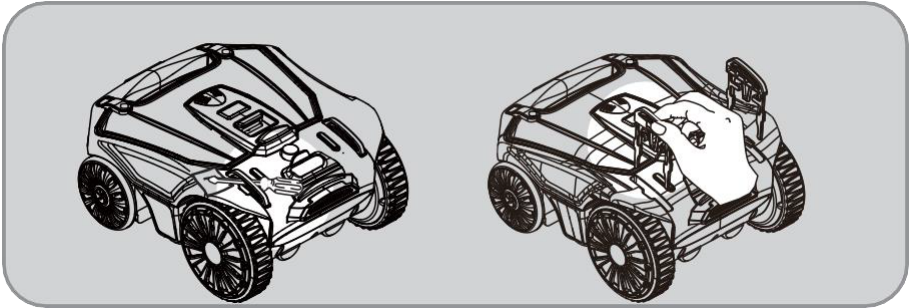
## 4. Maintenance

### ⚠ ATTENTION

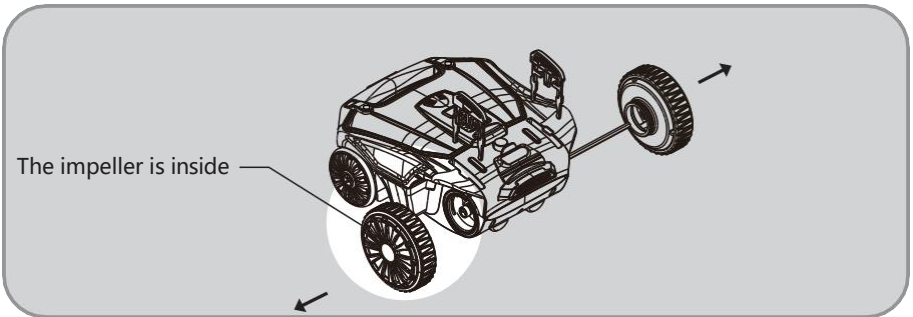
The cleaner must be kept dry during maintenance to avoid safety risks.

#### 4.1 Cleaning of the Water Pump Impeller

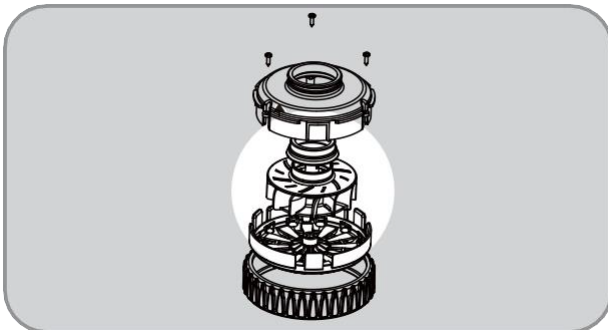
- 4.1.1 Use a straight screwdriver to pry up the left and right clips and take them out (put a soft cloth on the surface of the robotic cleaner body to prevent scratches).



- 4.1.2 Take out the left and right walking wheels.



- 4.1.3 Take out the left and right walking wheels (the impeller is installed in the left wheel).



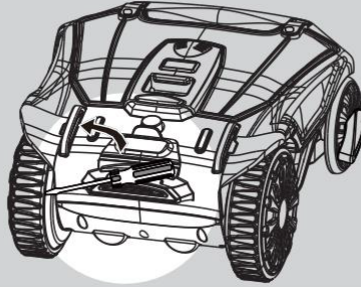
**Video Instruction**



## 4. Maintenance

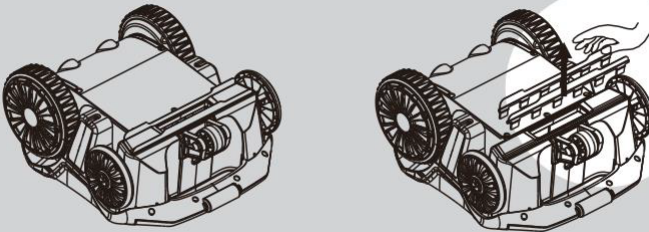
### 4.2 Replacement of Tyre Cover

- 4.2.1 Take off the tyre cover with a flathead screwdriver, replace with a new tyre cover, and make sure the slot position is aligned.

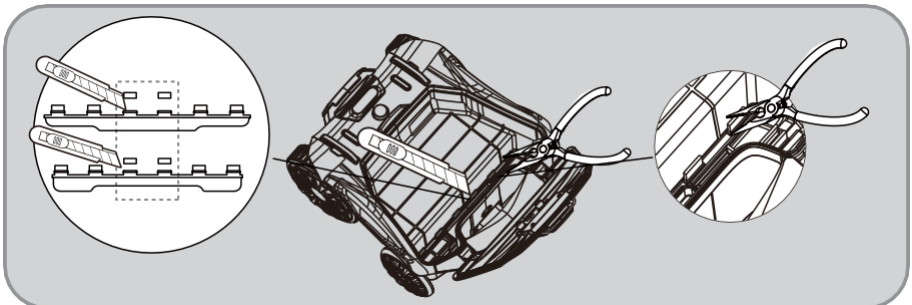


### 4.3 Replacement of Brush Strip

- 4.3.1 Take out the front and rear brush strips.



- 4.3.2 Pull the fastener with a plier from inside and have the new brush strip replaced and installed in place. After installation, **be sure to cut off the two protrusions in the middle of the front and rear brush strips**, otherwise the sealing of the machine will be affected.

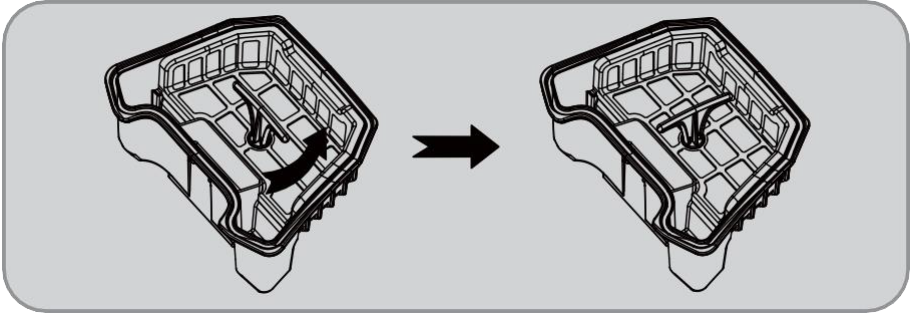




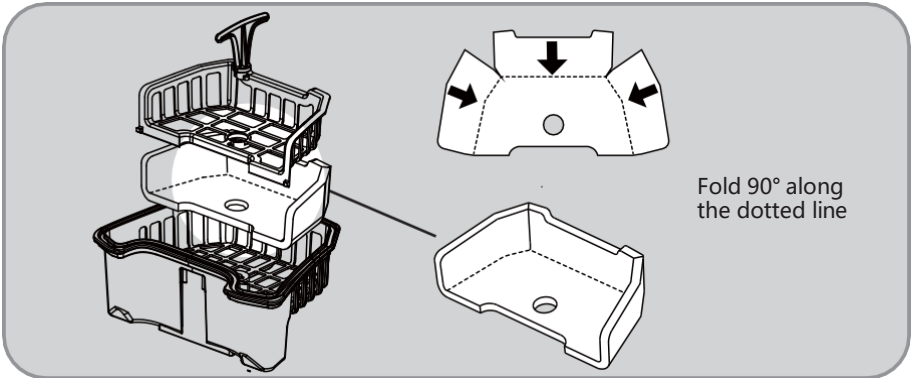
## 4. Maintenance

### 4.4 Installation of Filter

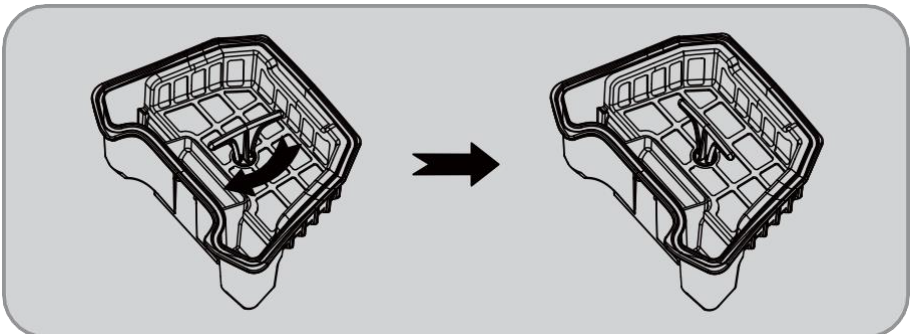
4.4.1 Turn the handle 90 degrees counterclockwise to open the debris bin .



4.4.2 Install Filter



4.4.1 Turn the handle 90 degrees clockwise to lock the debris basket and complete the installation of filter.



## 4. Maintenance

### ⚠ ATTENTION

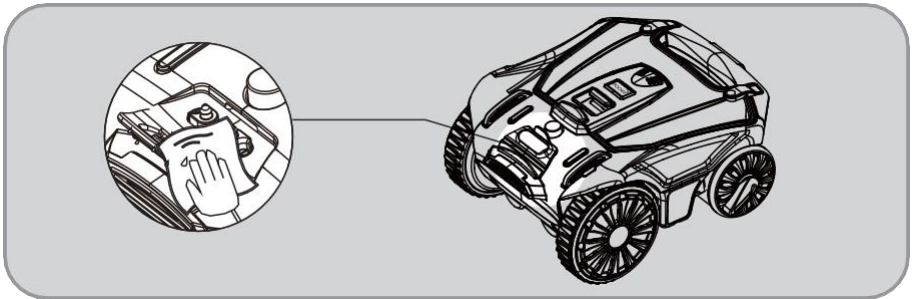
**Please clean the filter regularly and replace with a new filter once it becomes excessively dirty. A dirty filter will affect the robotic cleaner's performance and cleaning ability.**

The filter is normally used to clean fine particles. When there are a lot of leaves and debris in the swimming pool, it is recommended to remove the filter to obtain efficient cleaning in the initial stage. (Using the debris basket with wire mesh only) After initial cleaning, please install filter again to get a cleaner swimming pool.

Fine debris will accumulate in the filter after using the robot cleaner for a period of time, which will affect the suction. Please rinse and clean the filter regularly and replace with a new filter once it becomes excessively dirty. A dirty filter will affect the robotic cleaner's performance and cleaning ability.

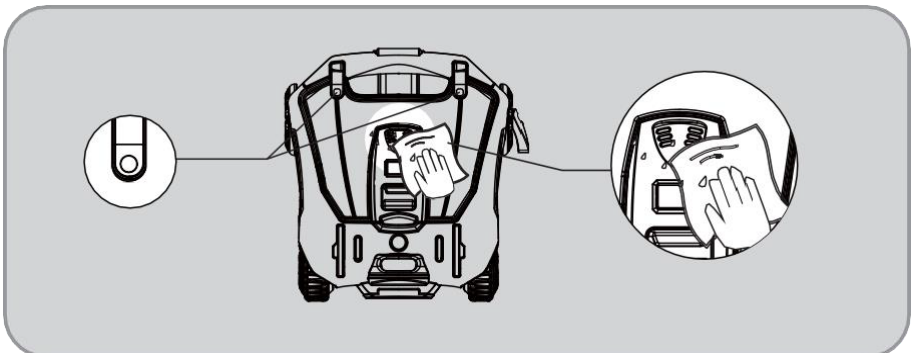
### 4.5 Charging Port Cleaning

- 4.5.1 Open the rubber cap over the charging port and wipe the charging port area with a dry and clean cloth.



### 4.6 Air Vent Cleaning

- 4.6.1 Use a dry and clean cloth to clean the air vent area.



## 5. Storage

- ◆ After using the robot cleaner, remove it from the water, clean and let air dry. Store it in a dry, cool place.
- ◆ To avoid battery capacity loss, the robotic cleaner should be kept at a battery percent of 50%-80% when not in use; and be charged once every 2 months if not to be used for an extended period of time.

## 6. Trouble Shooting

No.	Faults	Possible Reasons	Solutions
01	Unable to charge	Excess material or debris on the charging electrodes/posts	Clean posts
02		The charging indicator will not light up	Email Customer Service
03		Others	Email Customer Service
04	Does not work after being submerged in water.	The battery may need charging	Charge unit
05		Operation Locked	Unlock after charging
06		Air vent blocked, the cleaner can not be totally immersed into water	Clean the air vent
07	Moving abnormality	The walking wheel becomes tangled with hair, string or other debris.	Remove the material from around the wheel
08		Others	Email Customer Service
09	Suction ability weakened	Foreign objects on the impeller	Clean the impeller
10		Impeller damages	Email Customer Service
11		Too much dirt on the filter	Remove the filter and rinse with water to remove built up debris. (See 3.7.2 and 4.4)

**After  
Sales  
Service**



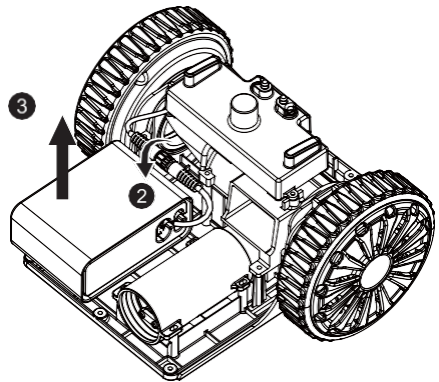
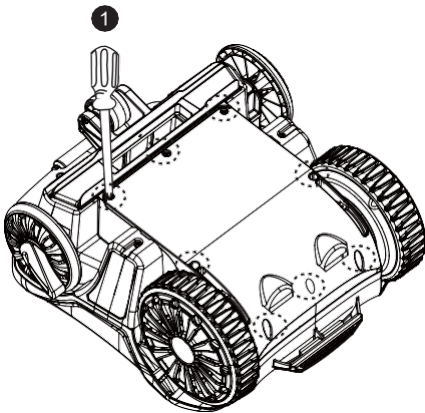
## 7. Battery disassembly and recycling

### 7.1 ⚠ CAUTION

- ◆ The battery must be removed from the robot cleaner before being scrapped.
- ◆ **When removing the battery, disconnect the robot cleaner from the power supply.**
- ◆ The battery should be disposed of safely and sent to a professional recycling facility as per local government regulations.

### 7.2 Battery disassembly steps

- ① Remove the 8 screws on the bottom plate with a cross screwdriver, dismantle the top cover.
- ② Unscrew the power cord connector and disconnect the power cord.
- ③ Remove the battery module and send it to a professional recycling facility as per local government regulations.



## 8. Product recycling

- ◆ The robot cleaner must be disposed in accordance with the local requirements, especially the electronic parts and components, which must be individually disposed of at recycling centers that are authorised to collect electronic waste. Illegal disposal will be fined according to the current laws of the local country.
- ◆ The hazardous substances in the electronic appliance pose a potential danger to the environment and human health, therefore the user plays an important role in recycling, please recycle the electronic wastes properly.
- ◆ The product package is made from recyclable materials, which must be disposed in a sustainable way through the correct recycling bins or specially authorised recycling center.
- ◆ Used battery contains hazardous substances to the environment and human health, thus it cannot be disposed as common household wastes.

